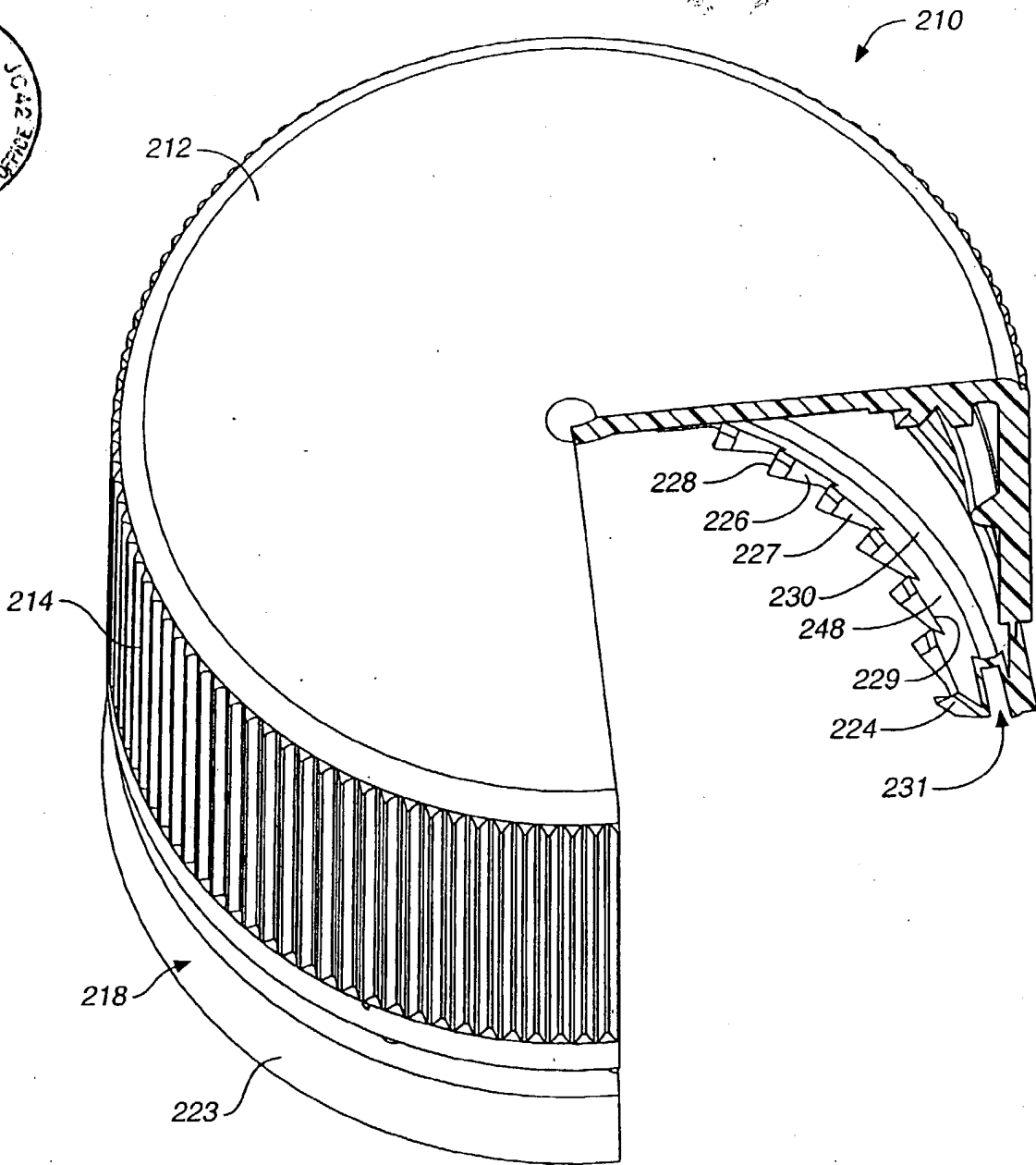


Approved Sm  
3/5/04

FIG. 13



*Approved  
3/5/04  
S.*

**FIG. 14**